



LAMP DOOR DAMPER LDD-V Concealed



Passed Private 100K Cycle Test
Soft-close



- Concealed type that is hidden from view when door is closed.
- Self and soft-closes within a 10° radius of closing. Closes gently, preventing slamming.
- Doors feel lighter to open compared to standard door closers.
- Closing speed adjustable post-installation.
- Counter plate has 3-way adjustment post-installation.
- 2011 Good Design Award Winner
- Recommended Door Specifications:
Thickness : Min. 33 mm
Width : Max. 900 mm
Weight : 15 - 40 kg
- For doors 40-100 kg, please use LDD-V100. Surface mount without mortise type LDD-S also available.
- Recommended hinge: HES series (P.534-)
- Adjustment Jig LDD-V-JIG & Template LDD-V-TMP available (P.569).

SELECTION GUIDE

LATERAL OPENING DOOR

HES CONCEALED HINGES

SWING DOOR

DOOR DAMPERS

DOOR STOPPERS

STACKABLE PARTITION DOOR

SLIDING DOOR

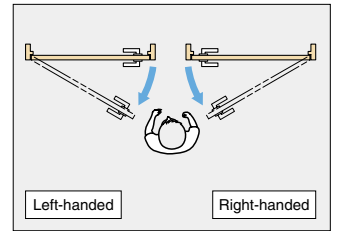
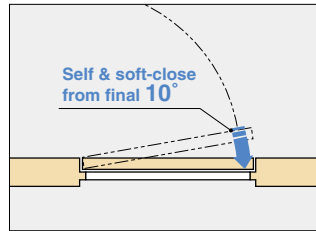
Right-handed



INSTRUCTION SCREW

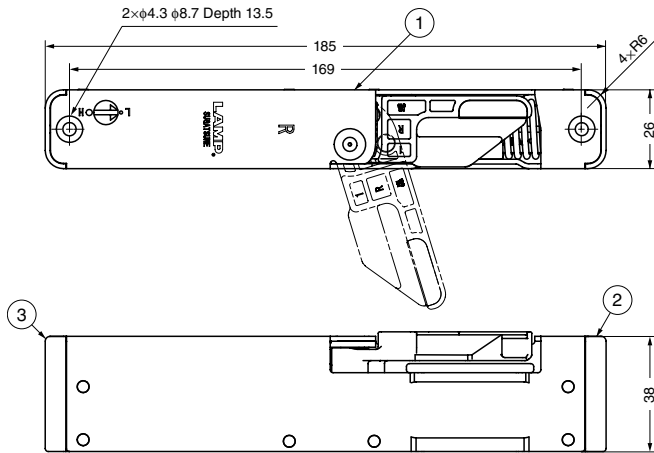
Parts Included

- Binding head tapping screw 4x45
- Binding head tapping screw 3.5x15



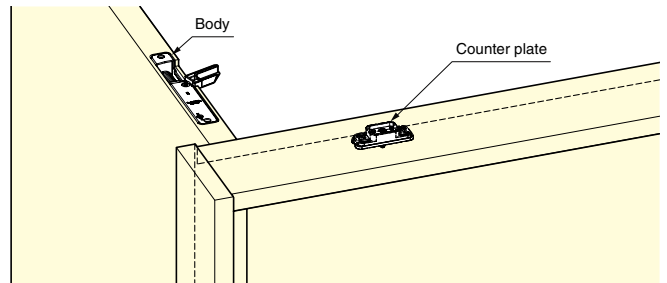
Right-handed type shown.

Body

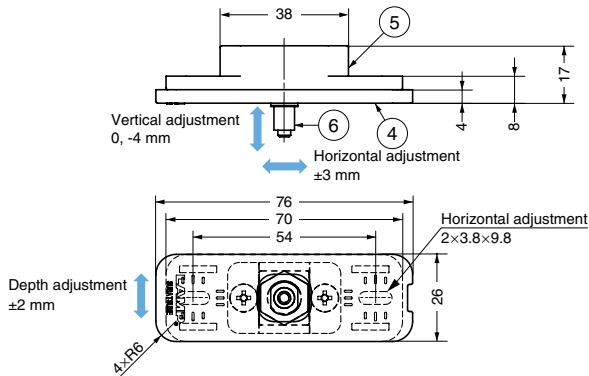


Installation

*Below drawing shows right-handed.



Counter Plate



No.	Part Name	Material	Finish/Colour
①	Body Case	Steel (SPCC)	Clear Zinc Chromate
②	Spring Base	Polyacetal (POM)	Grey
③	Damper Base	Polyacetal (POM)	Grey
④	Counter Plate Cover	Polyacetal (POM)	Grey
⑤	Counter Plate Case	Polyacetal (POM)	Grey
⑥	Counter Plate Shaft	Steel (SUM)	Nickel

White Cover Optional

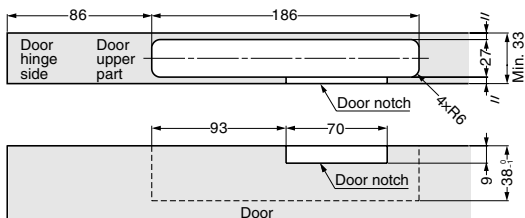
Item Code	Item Name	Material	Colour
270-054-108	LDD-V-COVER-WT	POM	White

Body Grey cover included

Item Code	Item Name	Type	Door Width	Door Thickness	Door Weight	Weight	Carton
270-017-563	LDD-V-R	Right-handed	Max. 900	Min. 33	15 - 40 kg	427 g	24 pcs
270-017-564	LDD-V-L	Left-handed	Max. 900	Min. 33	15 - 40 kg	427 g	24 pcs

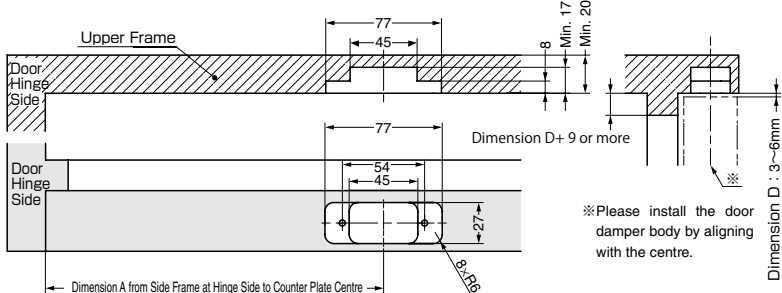
[Cut Out Dimensions] Door Damper Body

Figure below is for LDD-V-R (right-handed). LDD-V-L (left-handed) is symmetrical.



[Cut Out Dimensions] Counter Plate

LDD-V-R (right-handed) shown. LDD-V-L (left-handed) is symmetrical.



Door Hinge	Dimension A from side frame at hinge side to counter plate centre
HES3D-120	219+Clearance B Between Side Frame at Hinge Side and Door
HES3D-120-A100	
HES3D-H120-36	
HES2S-140-A125	220+Clearance B Between Side Frame at Hinge Side and Door
HES1F-140	
HES3D-E160	
HGS3D-S160SH	
HES3D-E190	217+Clearance B Between Side Frame at Hinge Side and Door
HES3D-W190	
HES3D-V135LGR	223+Clearance B Between Side Frame at Hinge Side and Door
HES2S-150-A110	
Butt Hinges	

※ Refer to **1** for 3-way adjustable concealed hinge HES3D.

SELECTION GUIDE

LATERAL OPENING DOOR

HES CONCEALED HINGES

SWING DOOR

DOOR DAMPERS

DOOR STOPPERS

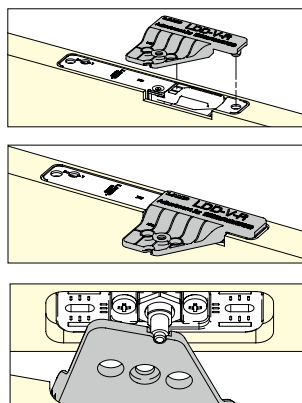
STACKABLE PARTITION DOOR

SLIDING DOOR

ADJUSTMENT JIG FOR COUNTER PLATE OF LDD-V LDD-V-JIG

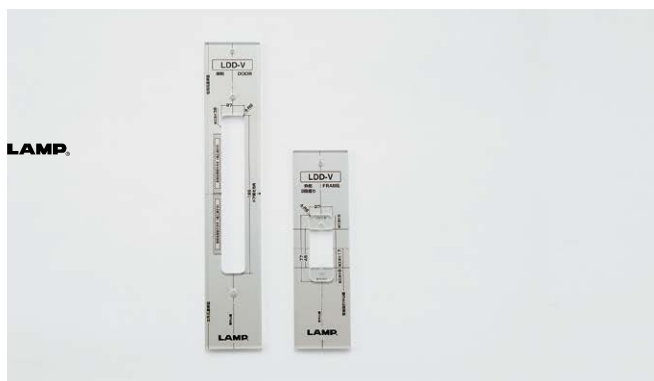


- Easy to adjust position of counter plate.



Item Code	Item Name	Material	Weight	Carton
270-025-276	LDD-V-R-JIG	ABS	11 g	1000 pcs
270-025-275	LDD-V-L-JIG	ABS	11 g	1000 pcs

TEMPLATE FOR LDD-V LDD-V-TMP



- Easy to make mortise on wood door and frame.
- Possible to use repeatedly.
- Two templates included: for door & frame.

Remarks

- Recommended working tool is a straight bit with guide bearings of which guide diameter and bit diameter are the same.

Item Code	Item Name	Material	Colour
270-024-568	LDD-V-TMP	Methacrylic Resin (PMMA)	Clear