

LAMP SOFT CLOSING MECHANISM FOR INSET RECEDING DOOR: INSTALLATION INSTRUCTION

IF-360S(L/R) / IF-360W / IF-H360S(L/R) / IF-H360W



Thank you for using our product. Before installation, please read this manual thoroughly to ensure correct installation. Please keep this manual at hand for future reference.

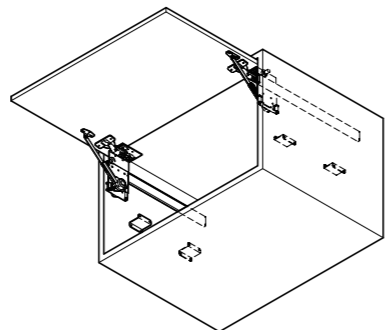
ABOUT THE PRODUCT

This product is a set of stays and hinges for an inset receding door.

SPECIFICATIONS

TYPE	IF-360S(L/R)	IF-360W	IF-H360S(L/R)	IF-H360W
DOOR WIDTH	Max. 1200			
DOOR THICKNESS(T)	15 - 20 mm		18 - 30 mm	
TORQUE MOMENT (Door weight × door height / 2 ※ 1)	1.96- 6.86 N · m (20- 70 kgf · cm)	3.9- 13.7 N · m (40- 140 kgf · cm)	1.96- 6.86 N · m (20- 70 kgf · cm)	3.9- 13.7 N · m (40- 140 kgf · cm)
Position of stay	L:Left R:Right	Both sides	L:Left R:Right	Both sides

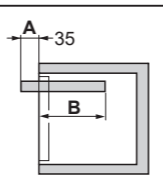
※ 1 When the center of gravity is the same position as the center of the door.



DIMENSIONAL INFORMATION

Item No.	IF-360S(L/R), IF-360W		IF-H360S(L/R), IF-H360W	
	B	RECOMMENDED DOOR HEIGHT	B	RECOMMENDED DOOR HEIGHT
AL-78-14	263.7 + Door thickness	298.7 + Door thickness	260.9 + Door thickness	295.9 + Door thickness
AL-78-16	314.5 + Door thickness	349.5 + Door thickness	311.7 + Door thickness	346.7 + Door thickness
AL-78-19	390.7 + Door thickness	425.7 + Door thickness	387.9 + Door thickness	422.9 + Door thickness
AL-78-24	517.7 + Door thickness	552.7 + Door thickness	514.9 + Door thickness	549.9 + Door thickness

The measurement provided in the table below is in case the door overhangs by 35 mm(A) from the edge of the top board when the door is fully inserted.



PARTS REQUIRED PER CABINET

① Bracket(Left)	② Bracket(Right)	③ Bracket(No stay)	④ AL-78 Rail
⑤ Roller DR-19-B2	⑥ Insert SC-107-13	⑦ Slider F-15	⑧ Guard Plate(High) ⑨ Guard Plate(Row)
⑩ Hinge 360-C26-19T	⑪ Hinge H360-C26-26T	⑫ Arm fixing plate NSDX-SZ	⑬ Caution sticker
⑭ Pan head screw with captive washer M4 × 6	⑮ Bind head tapping screw 3.5 × 16	⑯ Raised countersunk head tapping screw 3.5 × 16	⑰ Truss head screw M4 × 5

	IF-360			IF-H360 ※ 2		
	IF-360SL	IF-360SR	IF-360W	IF-H360SL	IF-H360SR	IF-H360W
①	1 pc	—	1 pc	1 pc	—	1 pc
②	—	1 pc	1 pc	—	1 pc	1 pc
③	1 pc	1 pc	—	1 pc	1 pc	—
④	2 pcs (length: 14"、16"、19"、24")					
⑤	2 pcs					
⑥	2 pcs					
⑦	2 pc					
⑧	2 pcs	2 pcs	4 pcs	2 pcs	2 pcs	4 pcs
⑨	2 pcs	2 pcs	—	2 pcs	2 pcs	—
⑩	2 pcs					
⑪	—					
⑫	2 pcs					
⑬	1 pc 2 pcs 1 pc 2 pcs					
⑭	Japanese、English each 1 pc					
⑮	6 pcs					
⑯	33 pcs	36 pcs	—	33 pcs	36 pcs	—
⑰	4 pc					
⑱	1 pc	2 pcs	—	1 pc	2 pcs	—

※ 2 As for IF-H360, use the hinge of ⑪ H360-C26-26T(φ40) instead of ⑩ 360-C26-19T(φ35).

FOR YOUR SAFETY AND CORRECT INSTALLATION

Meaning of symbols

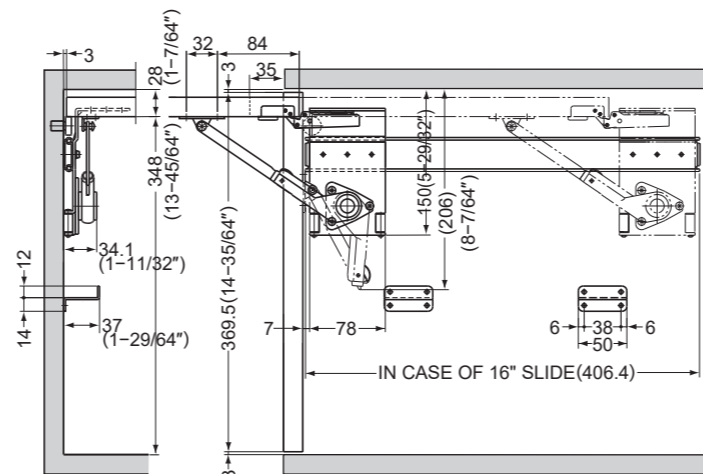
	Warning Caution		Prohibited		Required
--	------------------------	--	-------------------	--	-----------------

Caution: If not followed, injury or damage may result.

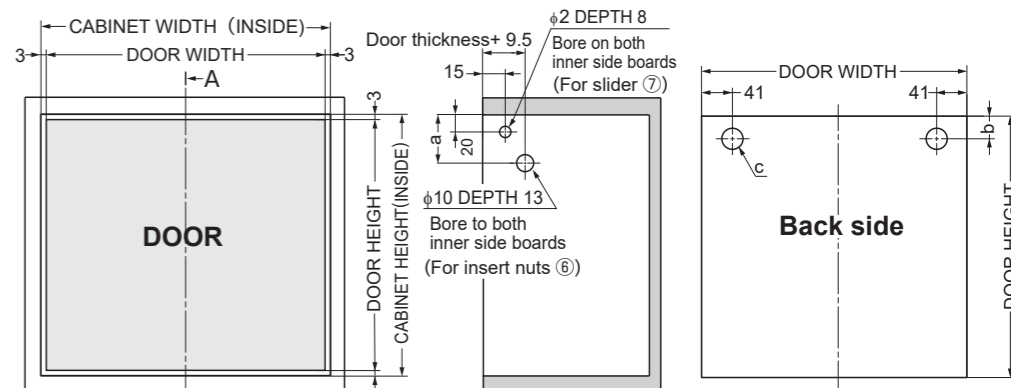
- ⚠ This product is a part for furniture. After installation, make sure to test the finished product thoroughly to ensure that it is functioning and safe. Please inform the end user how to use the product safely.
- ⊘ Do not use this product for any other purpose, or with doors that are outside the specifications of this manual.
- ⚠ Make sure to follow the designated dimensions, specifications, and horizontal/vertical angles. Make sure that the cabinet and door are not warped, since it may cause failure.
- ⚠ Recommended ambient temperature range is 0 °C - 40 °C .
- ⚠ Make sure to check the screws for slack at regular intervals (one month from first usage, half a year, and then one time every year is recommended).
- ⚠ Affix attached caution sticker onto the door.

INSTALLATION DRAWING (EXAMPLE)

The drawing shows an example of using the rail AL-78-16 and the parts set IF-360SL.



CABINET AND DOOR FABRICATION

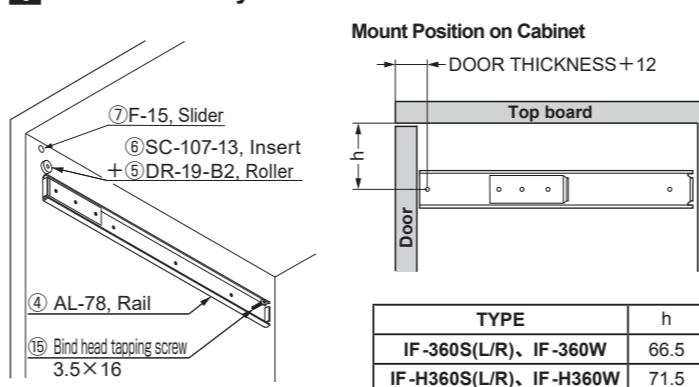


A-A SECTION

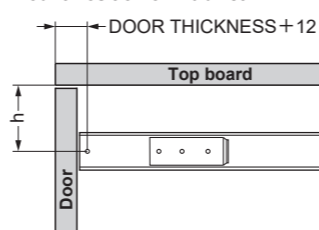
TYPE	a	b	c
IF-360S(L/R), IF-360W	37.5	22.5	φ35 depth11
IF-H360S(L/R), IF-H360W	43.6	26	φ40 depth15

ASSEMBLY

1 Parts Assembly on Cabinet



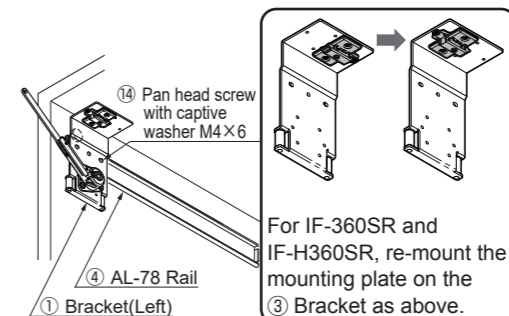
Mount Position on Cabinet



TYPE	h
IF-360S(L/R), IF-360W	66.5
IF-H360S(L/R), IF-H360W	71.5

2 Bracket Installation

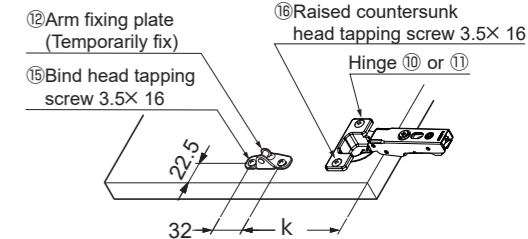
The drawing shows the case of ① Bracket(Left) As for ② Bracket(Right), it will be a mirror image.



For IF-360SR and IF-H360SR, re-mount the mounting plate on the ③ Bracket as above.

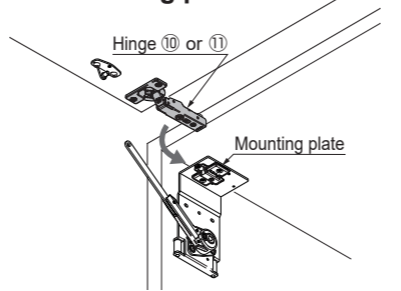
3 Parts Assembly on Door

The drawing shows the place where the stay is mounted For the ③ Bracket(No stay), ⑫ and ⑮ are not needed.



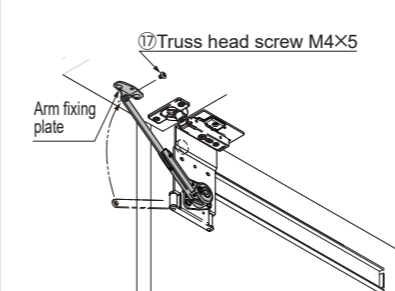
TYPE	k
IF-360S(L/R), IF-360W	84
IF-H360S(L/R), IF-H360W	82

4 Assemble the hinges to the mounting plate

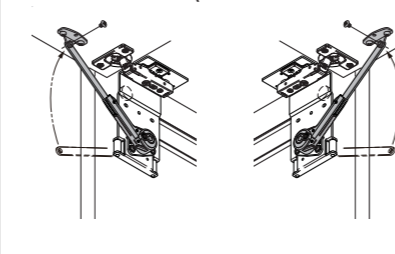


5 Fasten arm of Soft-down stay

For IF-360S(L/R) and IF-H360S(L/R) Fasten the arm on the side to be mounted.

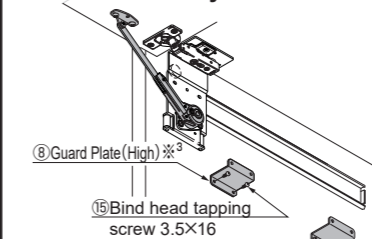


IF-360W, IF-H360W(Mounted on both sides)

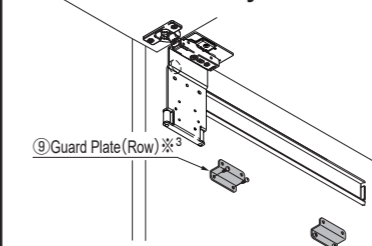


6 Mount guard plates

The side with stay



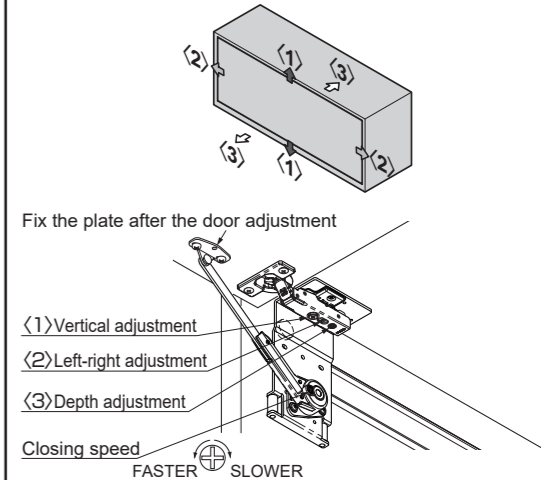
The side without stay



※ 3 Note that there are two kinds of guard plates (high) and (Low). If the guard plates are not enough to avoid interference with stored articles, install a middle plate.

7 Door Adjustment

Directions of adjustment and the corresponding screws.



Caution

- ⚠ Do not use electric screw drivers for adjustment.
- ⚠ Do not turn the adjustment screw beyond the adjustment range, since it may cause damage.
- ⚠ Make the adjustment level equal on both sides.



SUGATSUNE KOGYO CO.,LTD.
Manufacturer of LAMP brand products

Please find the contact information for your local area using the QR code.

