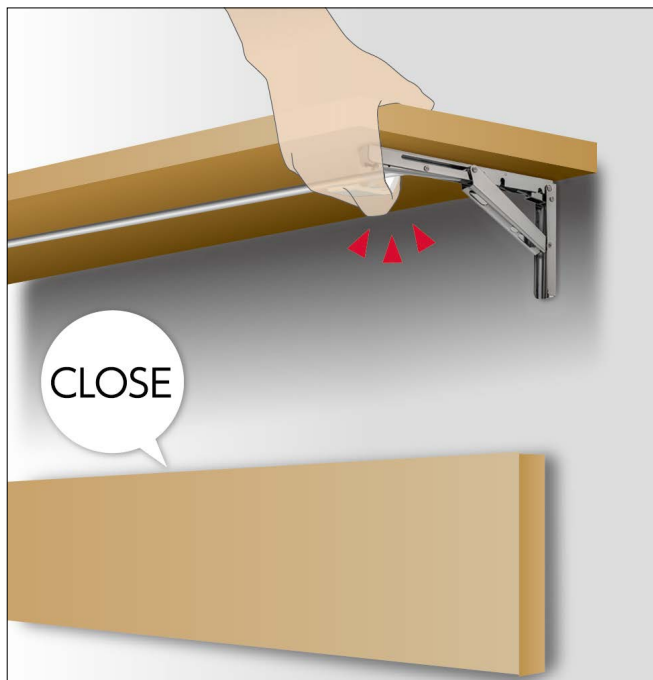


INTERLOCK LEVER **EBN-90** For EBN-DA / For Wide Shelf



Used with the folding brackets.



For 2 Brackets For 3 Brackets

- Multiple levers allow for one-handed operation.
- Can be used with the EBN-DA (folding bracket).
- Ideal for use on wide shelves.
- The rod can be cut to desired length.
- This product is the successor to the EB-90.

INSTRUCTION

Remarks

- If the rod is used with a length of 700 mm or more, please install the included additional mounting plate on the middle of the rod to prevent warping.
- When folding/unfolding the brackets, please hold both the shelf and brackets with your hands.

Component



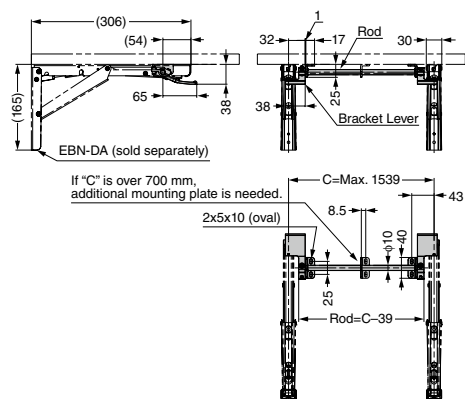
For 3 Brackets - Lever 3 pcs, Mounting Plate 6 pcs.



For 2 Brackets - Lever 2 pcs, Mounting Plate 3 pcs.

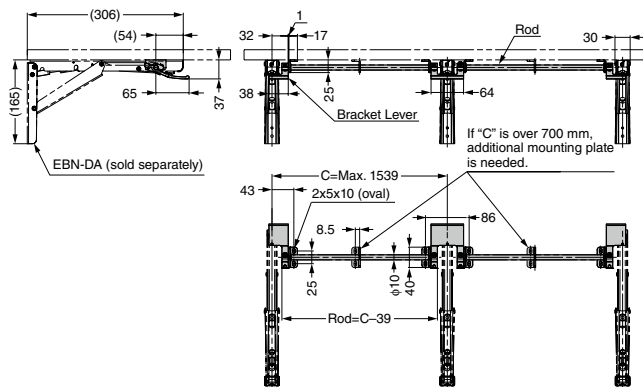
Rod

For Two Brackets This diagram represents the combined use with the EBN-303-DA.



The dimensions () are for when the EBN-303-DA is used.

For Three Brackets This diagram represents the combined use with the EBN-303-DA.



The dimensions () are for when the EBN-303-DA is used.

Release Lever

RoHS	Item Code	Item Name	Type	Material	Finish	Weight (g)	Box (set)
●	120-057-217	EBN-907562	For 2 brackets	Aluminium Alloy	Anodised	114	34
●	120-057-218	EBN-907563	For 3 brackets			218	34

Rod

RoHS	Item Code	Item Name	Length	Material	Finish	Weight (g)	Box (pcs)
●	120-046-397	EB-907572	1500	Aluminium Alloy	Anodised	98	25

Refer to : P.G002